

PLATE TOP AND GRIPPER CHAINS

Rexnord has a wide variety of Plate Top and Gripper chains. The roller chain based Plate Top is developed for greater loading capacity and permits even higher speeds and longer runs than slatband chains. The roller based Gripper is perfect for product elevating, lowering, rinsing, sterilizing and inverting, by means of soft rubber gripper elements. The base chain is made of steel or stainless steel.

FEATURES

- Plate Top chains

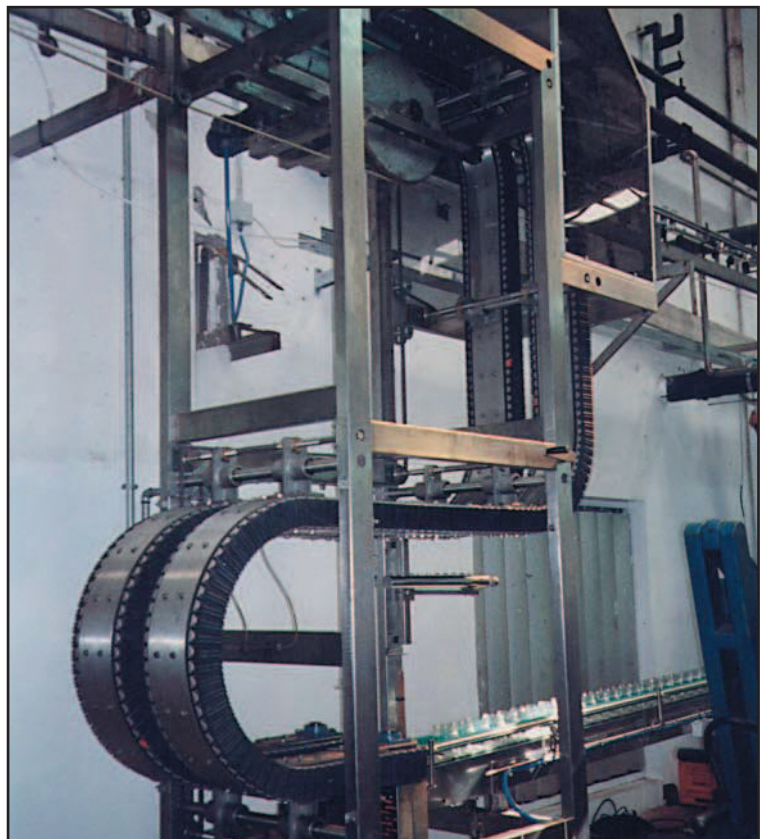
These chains permit a huge loading capacity, higher speeds and longer runs with a single drive. The straight running 843- and the 1843-series have a roller base chain ANSI 40. The 12.7 mm small pitch reduces the sagging effect and permits the use of smaller sprockets. They are recommended for step by step positioning.

The straight running 1864- and 963-series have a roller base chain ANSI 60. The sideflexing 1874-, 1873-, and 3873-series have a roller base chain Side Bow ANSI 63 SB. They are also very suitable for step by step positioning.

Plate Top chains fitted with steel top plates are designed for abrasive and heavy duty or high-temperature conditions. 963-, 1873-, and 3873-series, with "snap-on" plastic top plates combine the benefits of a plastic conveying surface with those of a precision roller base chain: less slip-stick, high working load and accurate positioning; the replaceable top plates are clipped on to the protruding pins.

- Gripper chains

Main applications of Plate Top Gripper chains can be found in glass works. However, they can be used in various other situations, such as crate handling and can manufacturing. Typical Gripper solutions are omegas for easy crossing of production lines, all lifting and lowering with Gripper chain elevators. The grippers are provided in 2- or 3-finger grippers for smaller products and in D-type Grippers for other applications.



- Connection links

All roller based chains are supplied in 10 ft sections and provided with a connection link, so that the chains can be coupled very easily.

- Sprockets

Plate Top chains don't require special sprockets. Standard ANSI 40 and 60 sprockets will fit; therefore they are not part of Rexnord's standard offering.

PLATE TOP AND GRIPPER CHAINS

PROGRAMME

PLATE TOP	
1864	Straight running chains with steel top plates, suitable for heavy loads, long distances and high speeds. The chain consists of a base roller chain with welded on top plates in various steel alloys. The gap between the plates is 1.6 mm wide
963	Straight running chains with plastic overlapping top plates, therefore a uni-directional travel. The continuous surface facilitates stability and eases operations with unstable products
843	Straight running chains with plastic overlapping top plates, clipped on the protruding pins. Uni-directional travel
1843 TAB	Sideflexing tab chains with plastic top plates. Same construction as 843
1874 TAB	Sideflexing chains with steel "snap-on" top plates to form a continuous flat conveying surface. Hold-down tabs provide positive retention in curves and inclines. They will be used in abrasive and heavy duty or high-temperature conditions
1873 TAB	Sideflexing chains with plastic top plates; bi-directional travel. Also available with a rubber, anti-slip insert for inclined conveying up to 25°. The TAB guides permit to continue either from an inclined run to a plain one or vice versa
3873 TAB	Sideflexing chains with plastic top plates for a continuous surface, even in tight radius. Perfect for transport of trays. The Polycarbonate top plates are extreme resistant against impact
GRIPPER	
1874 TAB	Fitted with steel top plates for abrasive or high-temperature conditions. The base is a standard roller chain Side Bow ANSI 63 SB. The gripper elements are available as GD (smooth pad) and GJ (grooved pad); as clipped on they are easily replaceable. The clip for the TAB guide is riveted on the top plate. The heavy duty execution can handle higher loads, resulting in an increased tensile strength by 15%, and permits reduced stretching during operation. The heavy duty design of the top plates implies that guide and top plate are a single unit
1843 TAB	Fitted with thermoplastic top plates for a quieter and smoother operation; these mini-gripper chains enable reduction of plant weight, increase of conveying speed and dry service. The base is a standard roller chain Side Bow ANSI 43 SB. The clipped on gripper elements are available as GD (smooth pad) and GJ (grooved pad). These chains are specially suited for conveying ampoules, test tubes and other minute products, such as small industrial components
1873 TAB	Fitted with thermoplastic top plates for a quieter and smoother operation, enabling reduction of plant weight, increase of conveying speed and dry service. The base chain is a standard roller chain Side Bow ANSI 63 SB. GSD/GS2J/GS3J grippers are clipped on for easy replacement, GDB/GJB grippers are resistant to bending and GJM grippers are integrated in the top plate, ideal for packaging applications
The chain description consists of respectively the material, type, a K number for the plate width in inches, a G for grippers and a code indicating the gripper execution: D for D-style grippers, providing a smooth pad or flat surface; J for grooved path, in some cases combined with the number of gripper fingers per link. Finally S means a special rubber gripper assembly system, resistant to bending. M stands for an integrated gripper, moulded into the top plate, ideal for packaging applications.	

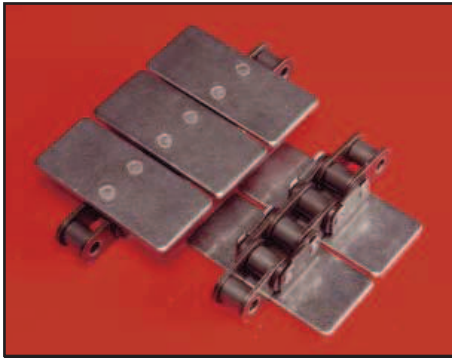
PLATE TOP CHAIN TYPE	APPLICATION								
	Clean, dry, light duty	Clean, wet, light duty	Abrasive, dry, light duty	Abrasive, wet, light duty	Clean, dry, heavy duty	Clean, wet, heavy duty	Abrasive, dry, heavy duty	Abrasive, wet, heavy duty	Incline conveyor
1864									
1864 SS									
963									
843									
1843 TAB									
1874 TAB									
1873 TAB, LF top plate									
1873 TAB, WX top plate									
3873 TAB									
HFP 1873 TAB									

GRIPPER CHAIN TYPE	APPLICATION						
	Small empty product elevator	Small full product elevator	Large empty product elevator	Large full product elevator	High load, abrasive application	Rinsers application, ambient	Rinsers application, high temperature
1874 TAB, stainless steel top plate							
1874 TAB HD, stainless steel top plate							
1843 TAB, LF top plate							
1873 TAB, HP top plate							
1873 TAB, LF top plate							

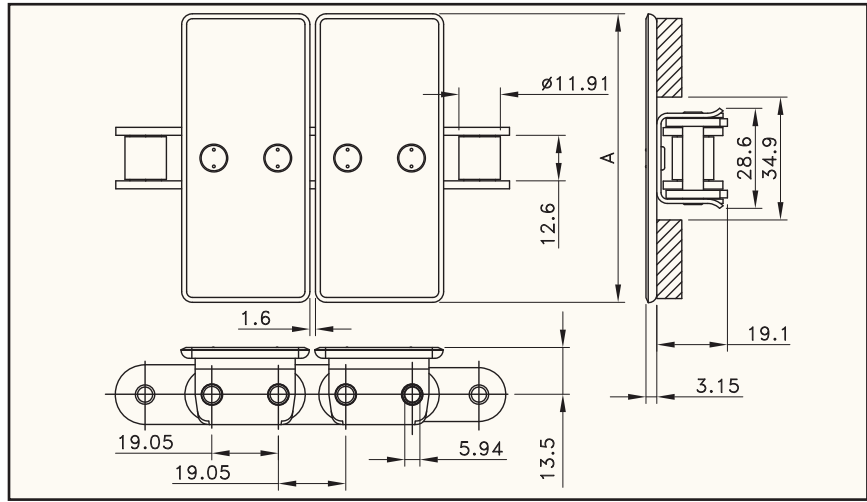
Steel base chains are recommended for dry applications, stainless steel base chains are recommended for wet applications.



PLATE TOP CHAINS



**STRAIGHT RUN
3/4" PITCH
STEEL TOP PLATE**

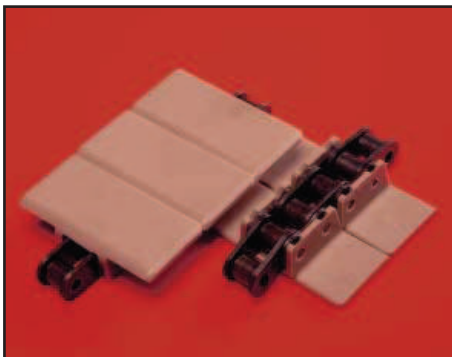


MATERIAL

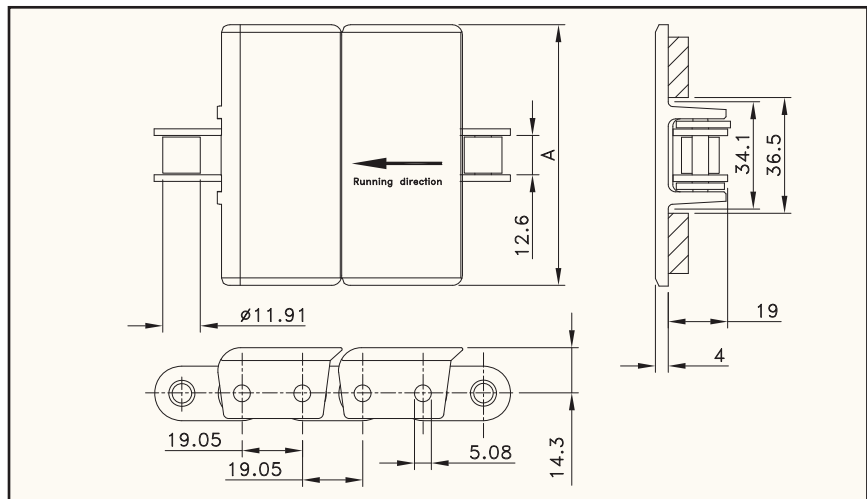
pag. 212

Chain type	Code nr.	Plate width A		Weight kg/m	Loose top plate code nr.	Working load (max.) N (21°C)	Connection link	
		mm	inch				type	code nr.
STEEL TOP PLATE/STEEL BASE CHAIN								
1864-K325	814036213	82.5	3.25	3.33	514-113-13	4500	CL-1864 CA	514-331-1
1864-K450	814036219	114.3	4.50	4.00	514-113-19			
1864-K600	814036223	152.4	6.00	4.40	514-113-23			
1864-K750	814036225	190.5	7.50	4.80	514-113-25			
STAINLESS STEEL TOP PLATE/STAINLESS STEEL BASE CHAIN								
1864 SS-K325	814036313	82.5	3.25	3.33	514-114-13	3400	CL-1864 SS	514-115-1
1864 SS-K450	814036319	114.3	4.50	4.00	514-114-19			
1864 SS-K600	814036323	152.4	6.00	4.40	514-114-23			
1864 SS-K750	814036325	190.5	7.50	4.80	514-114-25			

Standard length: 3.048 m – 10 feet (160 links). Min. backflex radius 305 mm.



**STRAIGHT RUN
3/4" PITCH
PLASTIC TOP PLATE**



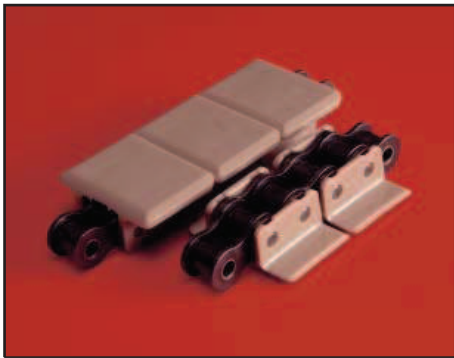
MATERIAL

pag. 212

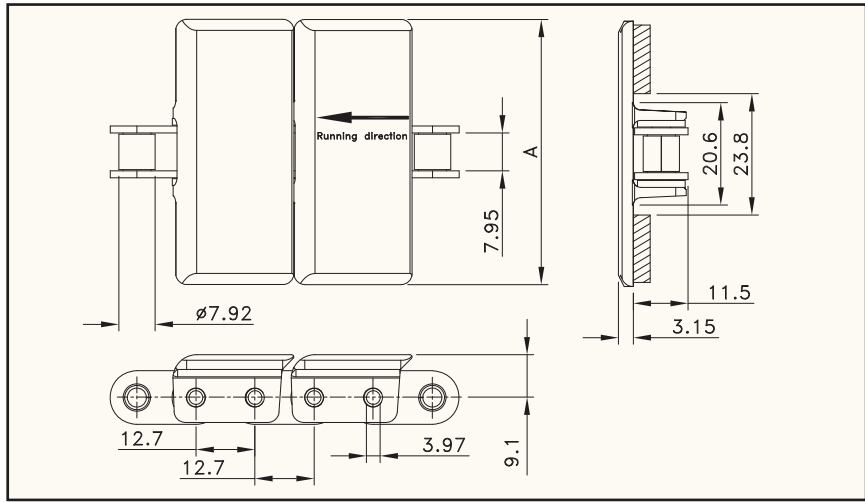
Chain type	Code nr.	Plate width A		Weight kg/m	Loose top plate code nr.	Working load (max.) N (21°C)	Connection link	
		mm	inch				type	code nr.
LF-ACETAL TOP PLATE/STEEL BASE CHAIN								
LF 963-K325	L0963604431	82.5	3.25	2.10	114-139-5	2700	CL-63	36742
LF 963-K450	L0963604441	114.3	4.50	2.23	114-139-6			
LF 963-K600	L0963604451	152.4	6.00	2.53	114-139-7			
LF 963-K750	L0963604461	190.5	7.50	2.68	114-139-8			
LF-ACETAL TOP PLATE/STAINLESS STEEL BASE CHAIN								
LF 963 SS-K325	L0963604471	82.5	3.25	2.10	114-139-5	1900	CL-63 SS	36747
LF 963 SS-K450	L0963604481	114.3	4.50	2.23	114-139-6			
LF 963 SS-K600	L0963604491	152.4	6.00	2.53	114-139-7			
LF 963 SS-K750	L0963604501	190.5	7.50	2.68	114-139-8			

Standard length: 3.048 m – 10 feet (160 links). Min. backflex radius 153 mm.

PLATE TOP CHAINS



**STRAIGHT RUN
1/2" PITCH
PLASTIC TOP PLATE**



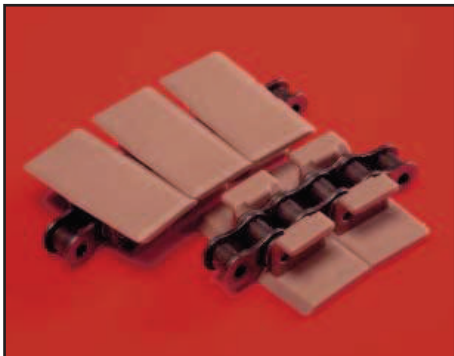
MATERIAL

pag. 212

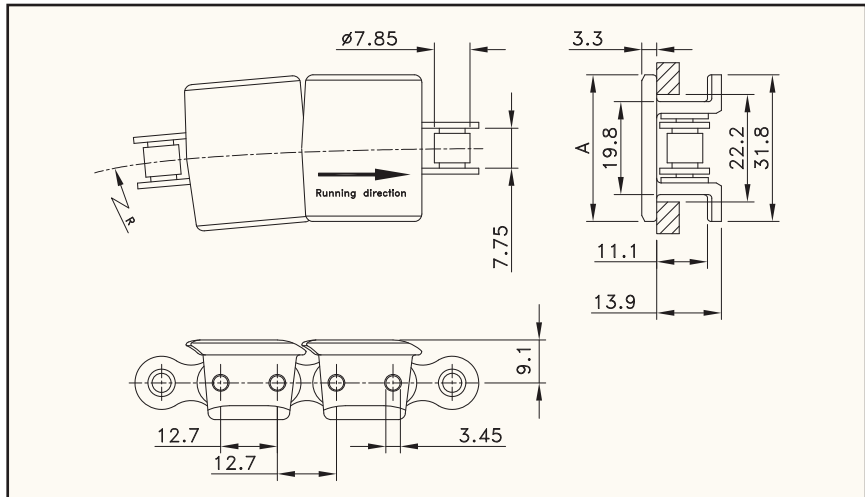
Chain type	Code nr.	Plate width A		Weight kg/m	Loose top plate code nr.	Working load (max.) N (21°C)	Connection link	
		mm	inch				type	code nr.
LF-ACETAL TOP PLATE/STEEL BASE CHAIN								
LF 843-K138	L0843604271	34.9	1.38	0.83	L0843621601	2700	CL-843	36418
LF 843-K144	L0843604281	36.5	1.44	0.84	L0000601742			
LF 843-K200	L0843604291	50.8	2.00	0.89	L0000669391			
LF 843-K325	L0843604301	82.5	3.25	1.03	L0843623581			
LF-ACETAL TOP PLATE/STAINLESS STEEL BASE CHAIN								
LF 843 SS-K138	L0843604311	34.9	1.38	0.83	L0843621601	1900	CL-843 SS	69479
LF 843 SS-K144	L0843604321	36.5	1.44	0.84	L0000601742			
LF 843 SS-K200	L0843604331	50.8	2.00	0.89	L0000669391			
LF 843 SS-K325	L0843604341	82.5	3.25	1.03	L0843623581			

Standard length: 3.048 m – 10 feet (240 links).

Min. backflex radius 153 mm.



**SIDEFLEX
1/2" PITCH TAB
PLASTIC TOP PLATE**



MATERIAL

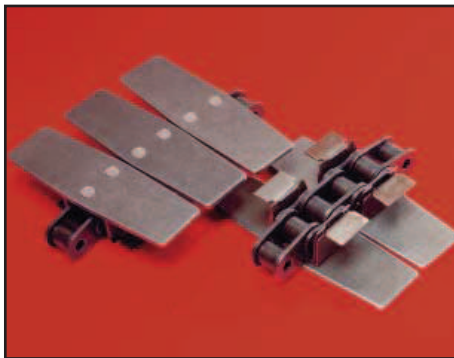
pag. 212

Chain type	Code nr.	Plate width A		Weight kg/m	Loose top plate code nr.	Working load (max.) N (21°C)	Sideflex radius (min.) mm	Connection link	
		mm	inch					type	code nr.
LF-ACETAL TOP PLATE/STEEL BASE CHAIN									
LF 1843 TAB-K125	L1843604601	31.8	1.25	0.74	114-495-1	2700	254	CL-1843	1843-MO-CL
LF 1843 TAB-K200	L1843688961	50.8	2.00	0.90	114-1448-1				

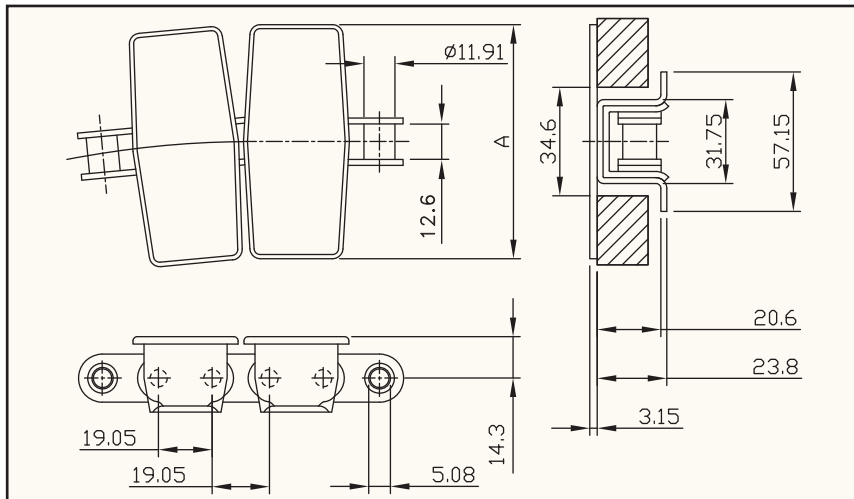
Standard length: 3.048 m – 10 feet (240 links).

Min. backflex radius 102 mm.

PLATE TOP CHAINS



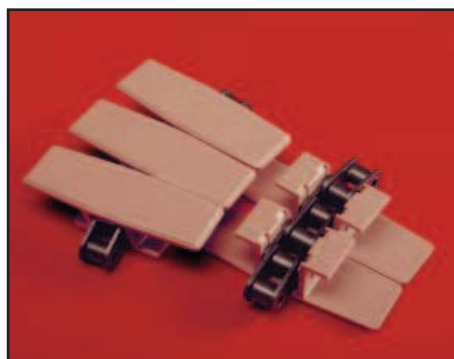
**SIDEFLEX
3/4" PITCH TAB
STEEL TOP PLATE**



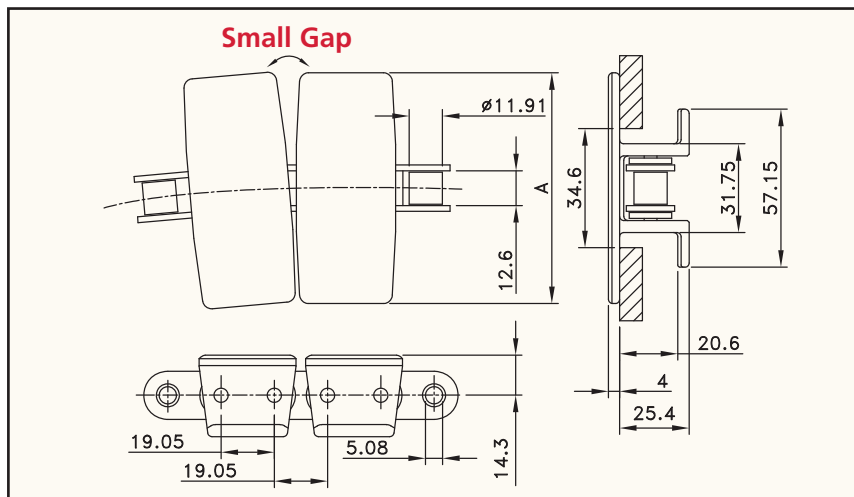
Chain type	Code nr.	Plate width A		Weight kg/m	Loose top plate code nr.	Working load (max.) N (21°C)	Sideflex radius (min.) mm	Connection link	
		mm	inch					type	code nr.
STEEL TOP PLATE/STEEL BASE CHAIN									
1874 TAB-K325	1874K3-1/4	82.5	3.25	4.20	114-130-1	4500	381	CL-63	36742
1874 TAB-K450	1874K4-1/2	114.3	4.50	4.80	114-130-2		381		
1874 TAB-K600	1874K6	152.4	6.00	5.70	114-130-6		457		
1874 TAB-K750	1874K7-1/2	190.5	7.50	6.40	114-130-3		610		
STAINLESS STEEL TOP PLATE/STAINLESS STEEL BASE CHAIN									
1874 TAB SS-K325	1874SSK3-1/4	82.5	3.25	4.20	114-130-4	3400	381	CL-63 SS	36747
1874 TAB SS-K450	1874SSK4-1/2	114.3	4.50	4.80	114-130-5		381		
1874 TAB SS-K600	1874SSK6	152.4	6.00	5.70	114-130-8		457		
1874 TAB SS-K750	1874SSK7-1/2	190.5	7.50	6.40	114-130-7		610		

Standard length: 3.048 m – 10 feet (160 links).

Min. backflex radius 254 mm.

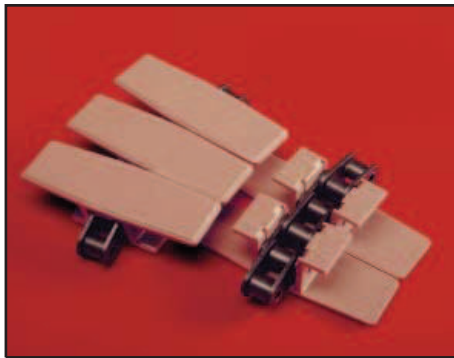


**SIDEFLEX
3/4" PITCH TAB
SMALL GAP 11,8 MM**

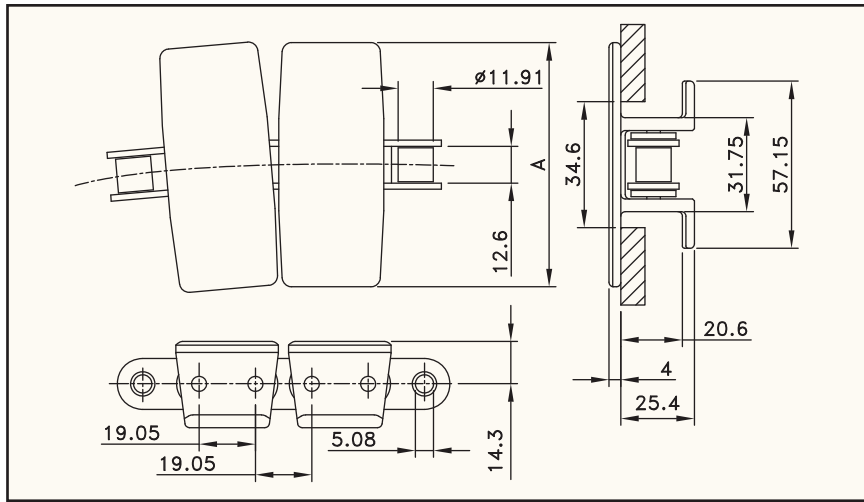


Chain type	Code nr.	Plate width A		Weight kg/m	Loose top plate code nr.	Working load (max.) N (21°C)	Sideflex radius (min.) mm	Connection link	
		mm	inch					type	code nr.
LF-ACETAL TOP PLATE/STEEL BASE CHAIN									
LF 1873 TAB SG-K450	L1873683662	114,3	4,50	2,30	L1873645963	4500	610	CL-63	36742
BWR-TOP PLATE/STEEL BASE CHAIN									
BWR 1873 TAB SG-K450	L1873683642	114,3	4,50	2,30	L1873645973	4500	610	CL-63	36742
WX-POLYAMIDE COMPOSITE TOP PLATE/STEEL BASE CHAIN									
WX 1873 TAB SG-K450	L1873683652	114,3	4,50	2,30	L1873645983	4500	610	CL-63	36742

PLATE TOP CHAINS



**SIDEFLEX
3/4" PITCH TAB
PLASTIC TOP PLATE**



Chain type	Code nr.	Plate width		Weight	Loose top plate	Working load (max.)	Sideflex radius (min.)	Connection link	
		A						code nr.	type
		mm	inch	kg/m		N (21°C)	mm		
LF-ACETAL TOP PLATE/STEEL BASE CHAIN									
LF 1873 TAB-K325	L1873604731	82.5	3.25	2.10	L1873615621	4500	390	CL-63	36742
LF 1873 TAB-K450	L1873604741	114.3	4.50	2.30	L1873LF623621				
LF 1873 TAB-K600	L1873604751	152.4	6.00	2.40	L1873LF631801		457		
LF 1873 TAB-K750	L1873604761	190.5	7.50	2.60	L1873LF622011		610		
LF 1873 TAB-K1000	L1873604771	254.0	10.00	2.80	L1873LF610701				
LF 1873 TAB-K1200	L1873604781	304.8	12.00	3.00	L1873LF645071				
LF-ACETAL TOP PLATE/STAINLESS STEEL BASE CHAIN									
LF 1873 TAB SS-K325	L1873604791	82.5	3.25	2.10	L1873615621	3400	390	CL-63 SS	36747
LF 1873 TAB SS-K450	L1873604801	114.3	4.50	2.30	L1873LF623621				
LF 1873 TAB SS-K600	L1873604811	152.4	6.00	2.40	L1873LF631801		457		
LF 1873 TAB SS-K750	L1873604821	190.5	7.50	2.60	L1873LF622011		610		
LF 1873 TAB SS-K1000	L1873604831	254.0	10.00	2.80	L1873LF610701				
LF 1873 TAB SS-K1200	L1873604841	304.8	12.00	3.00	L1873LF645071				
WX-POLYAMIDE COMPOSITE TOP PLATE/STEEL BASE CHAIN									
WX 1873 TAB-K450	L1873683652*	114.3	4.50	2.30	L1873610683	4500	390	CL-63 SS	36742

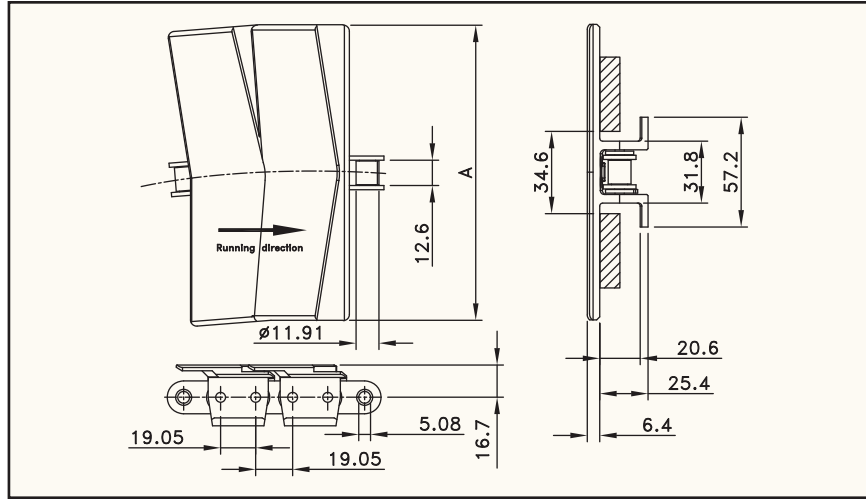
Standard length: 3.048 m – 10 feet (160 links). Min. backflex radius 305 mm.

* Ask customer service for minimum order quantity of WX 1873 chains.

PLATE TOP CHAINS



**SIDEFLEX 3/4" PITCH TAB
PLASTIC TOP PLATE
CLOSED SURFACE**



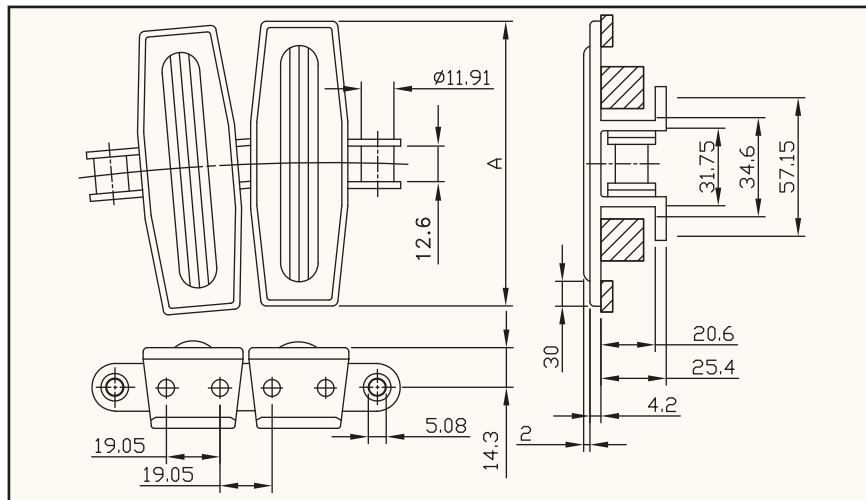
Chain type	Code nr.	Plate width A		Weight kg/m	Loose top plate code nr.	Working load (max.) N (21°C)	Sideflex radius (min.) mm	Connection link	
		mm	inch					type	code nr.
LF-ACETAL TOP PLATE/STAINLESS STEEL BASE CHAIN									
LF 3873 TAB SS-K1000	L3873604921	254.0	10.00	3.10	114-129-2	3400	457	CL-63 SS	36747
PC POLYCARBONATE TOP PLATE/STAINLESS STEEL BASE CHAIN									
WPC 3873 TAB SS-K1200	L3873604941	304.8	12.00	3.20	114-1046-5	3400	610	CL-63 SS	36747

Standard length: 3.048 m – 10 feet (160 links).

Min. backflex radius 178 mm.



**SIDEFLEX 3/4" PITCH TAB
PLASTIC TOP PLATE
WITH RUBBER**



Chain type	Code nr.	Plate width A		Weight kg/m	Loose top plate code nr.	Working load (max.) N (21°C)	Sideflex radius (min.) mm	Connection link	
		mm	inch					type	code nr.
LF-ACETAL TOP PLATE/STEEL BASE CHAIN									
HFP 1873 TAB-K750	L1873648142	190.5	7.50	3.10	L1873635192	4500	457	CL-63	36742
HFP 1873 TAB-K1000	L1873648152	254.0	10.00	3.40	L1873635222		610		
HFP 1873 TAB-K1200	L1873645302	304.8	12.00	3.60	L1873635252				
LF-ACETAL TOP PLATE/STAINLESS STEEL BASE CHAIN									
HFP 1873 TAB SS-K750	L1873653102	190.5	7.50	3.10	L1873635192	3400	457	CL-63 SS	36747
HFP 1873 TAB SS-K1000	L1873645522	254.0	10.00	3.40	L1873635222		610		
HFP 1873 TAB SS-K1200	L1873644202	304.8	12.00	3.60	L1873635252				

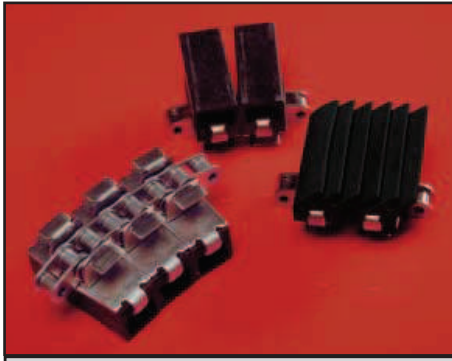
Standard length: 3.048 m – 10 feet (160 links).

Rubber: SEBS grey; 60 shore A hardness. Other rubber patterns and materials are possible.

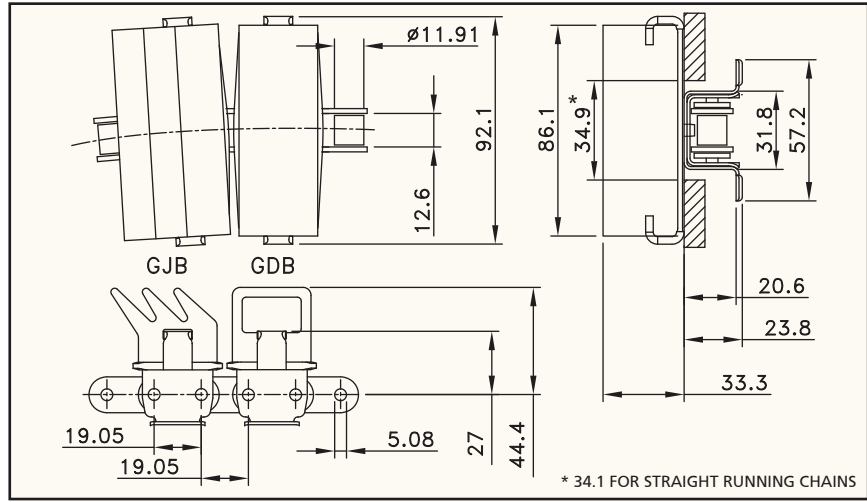
Min. backflex radius 305 mm.

Ask customer service for minimum order quantity.

PLATE TOP GRIPPER CHAINS



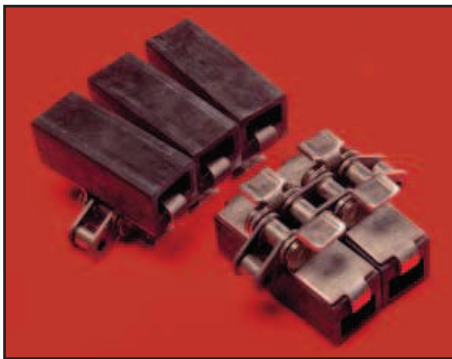
**GRIPPER
3/4" PITCH
STEEL TAB**



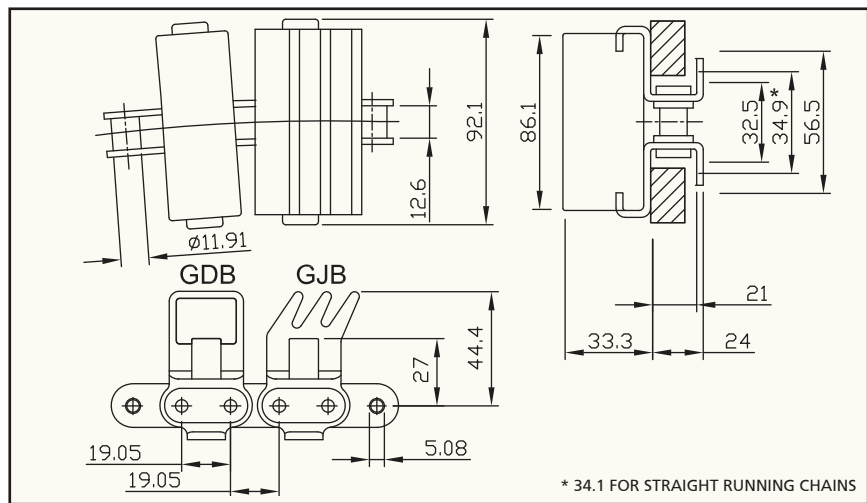
Chain type	Code nr.	Plate width A		Weight kg/m	Working load (max.) N (21°C)	Sideflex radius (min.) mm	Connection link	
		mm	inch				type	code nr.
STEEL TOP PLATE/STEEL BASE CHAIN								
1874 TAB-K363 GDB	L1874606541	92.1	3.63	5.60	4500	381	CL-63	36742
1874 TAB-K363 GJB	L1874606322							
STAINLESS STEEL TOP PLATE/STAINLESS STEEL BASE CHAIN								
1874 TABSS-K363 GDB	L1874606581	92.1	3.63	5.60	3400	381	CL-63 SS	36747
1874 TABSS-K363 GJB	L1874606591							

Standard length: 3.048 m – 10 feet (160 links).

Gripper: EPDM black; 50 shore A hardness.



**GRIPPER
3/4" PITCH
STEEL TAB HEAVY DUTY**

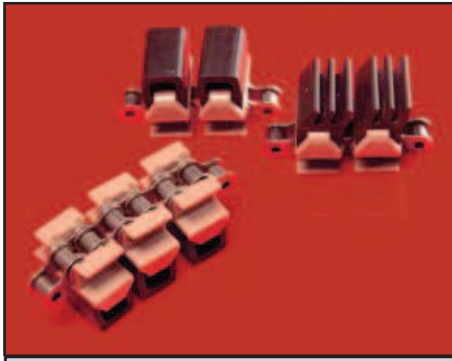


Chain type	Code nr.	Plate width A		Weight kg/m	Working load (max.) N (21°C)	Sideflex radius (min.) mm	Connection link	
		mm	inch				type	code nr.
STEEL TOP PLATE/STEEL BASE CHAIN								
1874 TAB HD-K363 GDB	L1874695701	92.1	3.63	6.30	4900	400	CL-1874 HD	102910
1874 TAB HD-K363 GJB	L1874606332							
STAINLESS STEEL TOP PLATE/STAINLESS STEEL BASE CHAIN								
1874 TAB HDSS-K363 GJB	L1874606342	92.1	3.63	6.30	3700	400	CL-1874 HD SS	102406
1874 TAB HDSS-K363 GDB	L1874695711							

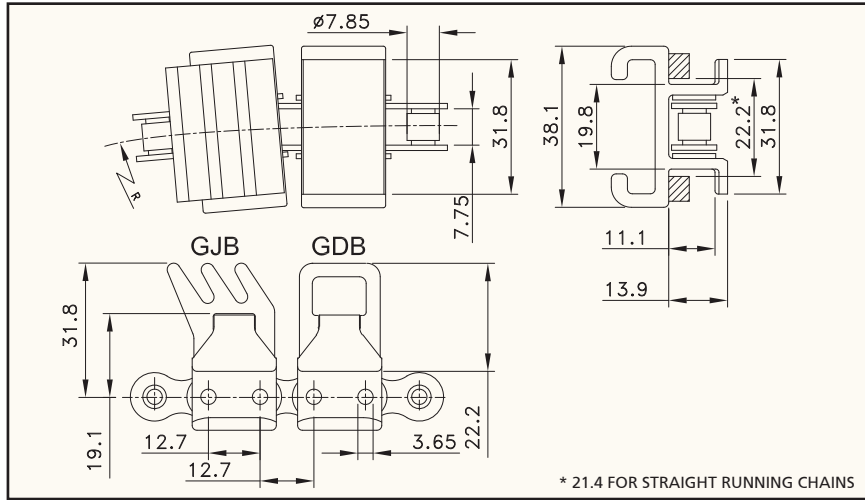
Standard length: 3.048 m – 10 feet (160 links).

Gripper: EPDM black; 50 shore A hardness.

PLATE TOP GRIPPER CHAINS



**GRIPPER
1/2" PITCH
PLASTIC TAB**

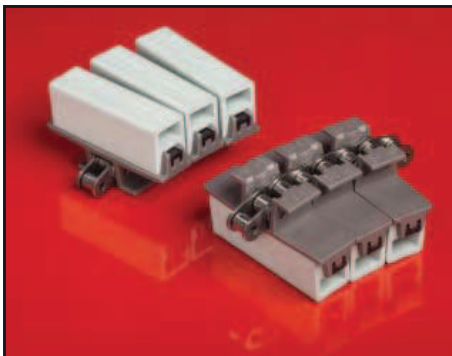


MATERIAL
pag. 212

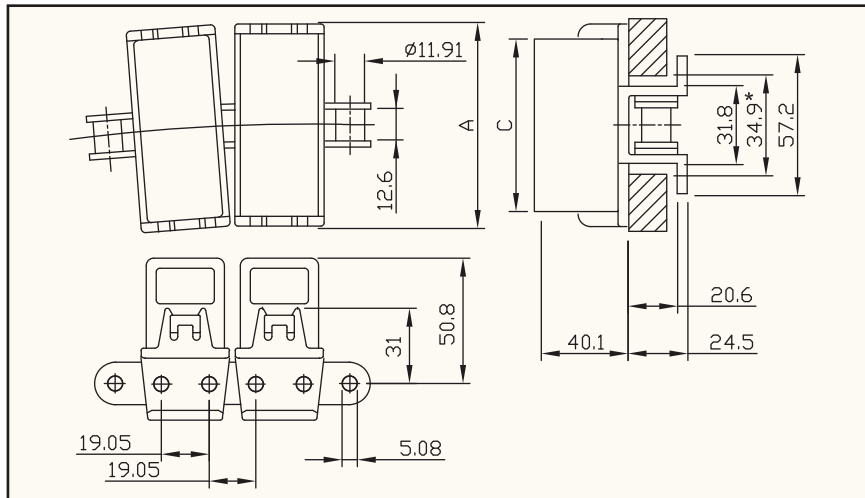
Chain type	Code nr.	Plate width A		Weight kg/m	Working load (max.) N (21°C)	Sideflex radius (min.) mm	Connection link	
		mm	inch				type	code nr.
LF-ACETAL TOP PLATE/STEEL BASE CHAIN								
LF 1843 TAB-K150 GDB	L1843606461	38.1	1.50	1.20	2700	254	CL-1843	1843-MO-CL
LF 1843 TAB-K150 GJB	L1843606471							
LF-ACETAL TOP PLATE/STAINLESS STEEL BASE CHAIN								
LF 1843 TABSS-K150 GDB	L1843606481	38.1	1.50	1.20	1900	254	CL-1843 SS	1843 SS-MO-CL
LF 1843 TABSS-K150 GJB	L1843606491							

Standard length: 3.048 m – 10 feet (240 links).

Gripper: EPDM black, 40 shore A hardness.



**SNAP-ON CLOSED GRIPPER
3/4" PITCH
PLASTIC TAB**



MATERIAL
pag. 124

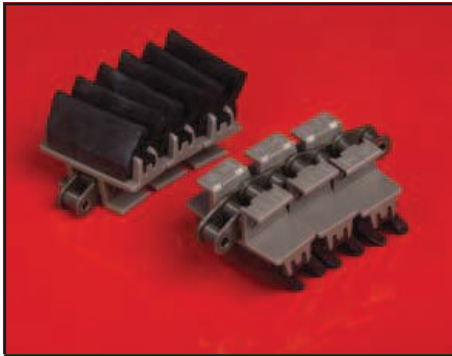
MATERIAL
pag. 212

Chain type	Code nr.	Plate width A		Gripper width C mm	Weight kg/m	Working load (max.) N (21°C)	Sideflex radius (min.) mm	Connection link	
		mm	pollici					type	code nr.
HP-ACETAL TOP PLATE/STEEL BASE CHAIN									
HP 1873 TAB-K325 GSD	L1873628703	82,5	3.25	70	2.90	4500	381	CL-63	36742
HP 1873 TAB-K450 GSD	L1873631143	114,3	4.50	102					
HP-ACETAL TOP PLATE/STAINLESS STEEL BASE CHAIN									
HP 1873 TABSS-K325 GSD	L1873628753	82,5	3.25	70	2.90	3400	381	CL-63 SS	36747
HP 1873 TABSS-K450 GSD	L1873631383	114,3	4.50	102					

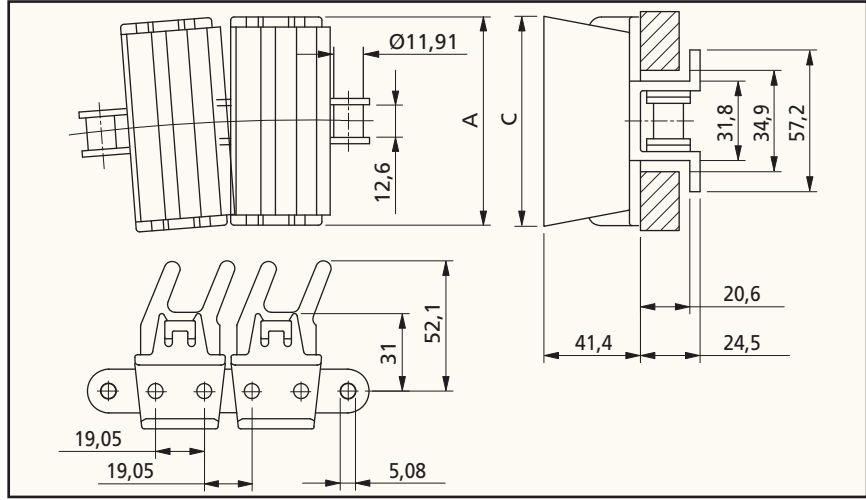
Standard length: 3.048 m – 10 feet (160 links).

Gripper: EPDM grey, 55 shore A hardness.

PLATE TOP GRIPPER CHAINS

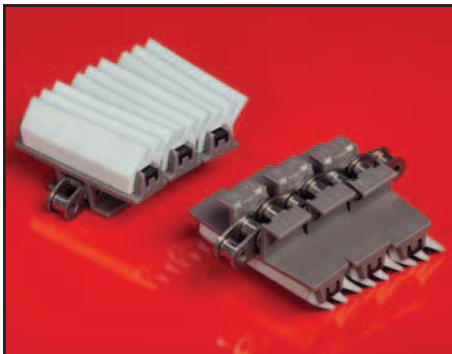


**SNAP-ON 2-FINGER GRIPPER
3/4" PITCH
PLASTIC TAB**

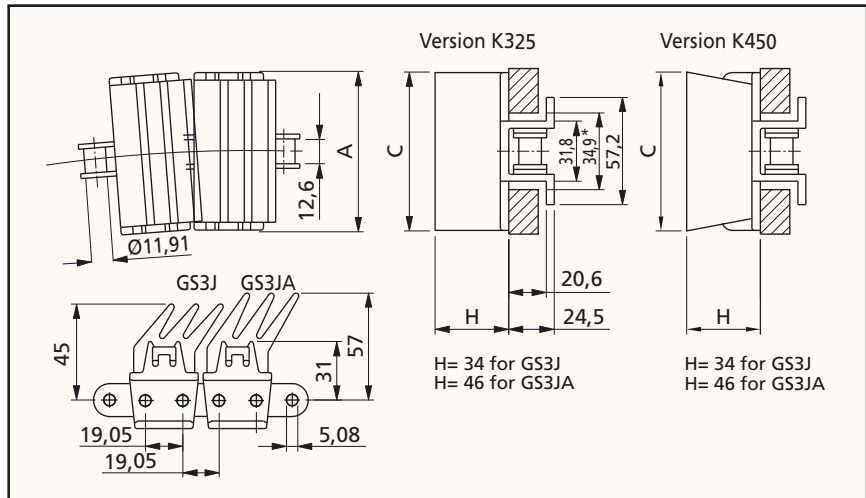


Chain type	Code nr.	Plate width A		Gripper width C	Weight kg/m	Working load (max.) N (21°C)	Sideflex radius (min.) mm	Connection link	
		mm	pollici					type	code nr.
HP-ACETAL TOP PLATE /STEEL BASE CHAIN									
HP 1873 TAB-K325 GS2J	L1873628693	82.5	3.25	77	2.90	4500	381	CL-63	36742
HP 1873 TAB-K450 GS2J	L1873628713	114.3	4.50	108	3.00				
HP-ACETAL TOP PLATE /STAINLESS STEEL BASE CHAIN									
HP 1873 TABSS-K325 GS2J	L1873628743	82.5	3.25	77	2.90	3400	381	CL-63 SS	36747
HP 1873 TABSS-K450 GS2J	L1873628763	114.3	4.50	108	3.00				

Standard length: 3.048 m – 10 feet (160 links). Gripper EPDM black, 45 shore A hardness.



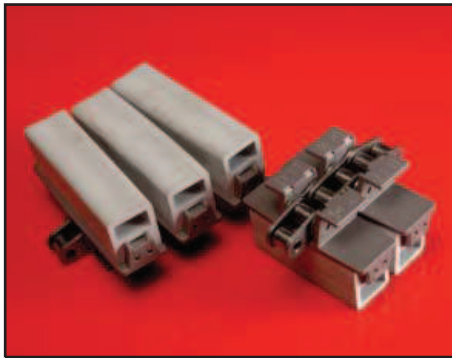
**SNAP-ON 3-FINGER GRIPPER
3/4" PITCH
PLASTIC TAB**



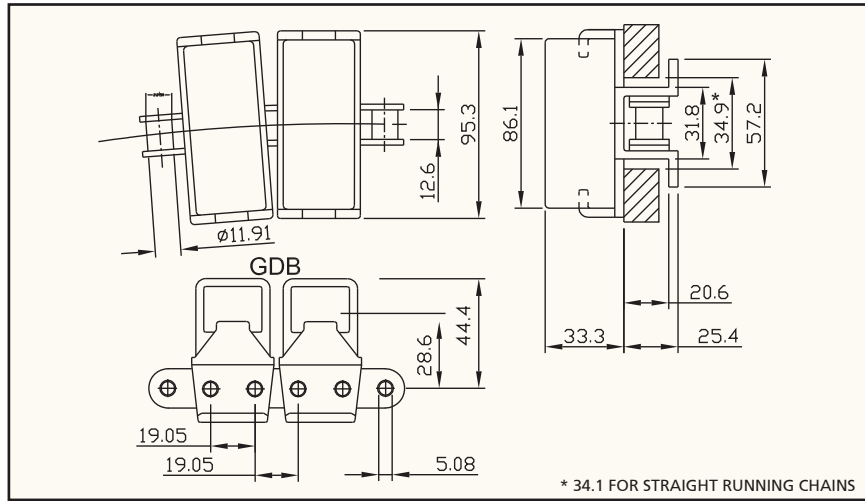
Chain type	Code nr.	Plate width A		Gripper width C	Weight kg/m	Working load (max.) N (21°C)	Sideflex radius (min.) mm	Connection link	
		mm	pollici					type	code nr.
HP-ACETAL TOP PLATE /STEEL BASE CHAIN									
HP 1873 TAB-K325 GS3J	L1873628673	82.5	3.25	82.5	2.90	4500	381	CL-63	36742
HP 1873 TAB-K450 GS3J	L1873631773	114.3	4.50	107	3.00				
HP-ACETAL TOP PLATE /STAINLESS STEEL BASE CHAIN									
HP 1873 TABSS-K325 GS3J	L1873628723	82.5	3.25	82.5	2.90	3400	381	CL-63 SS	36747
HP 1873 TABSS-K450 GS3J	L1873632733	114.3	4.50	107	3.00				
HP-ACETAL TOP PLATE /STEEL BASE CHAIN									
HP 1873 TAB-K325 GS3JA	L1873628683	82.5	3.25	82.5	2.90	4500	381	CL-63	36742
HP 1873 TAB-K450 GS3JA	L1873631863	114.3	4.50	109	3.00				
HP-ACETAL TOP PLATE /STAINLESS STEEL BASE CHAIN									
HP 1873 TABSS-K325 GS3JA	L1873628733	82.5	3.25	82.5	2.90	3400	381	CL-63 SS	36747
HP 1873 TABSS-K450 GS3JA	L1873631873	114.3	4.50	109	3.00				

Standard length: 3.048 m – 10 feet (160 links). Gripper EPDM grey 55 shore A hardness for GS3J K325-K450, gripper black for GS3JA K450 45 shore A hardness.

PLATE TOP GRIPPER CHAINS



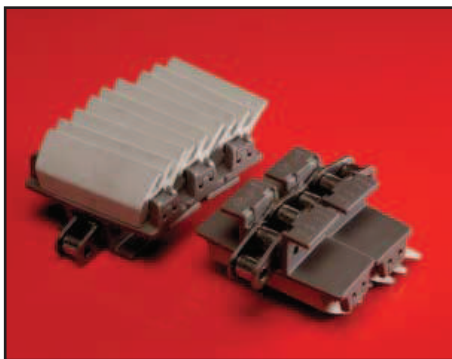
CLOSED GRIPPER
3/4" PITCH
PLASTIC TAB



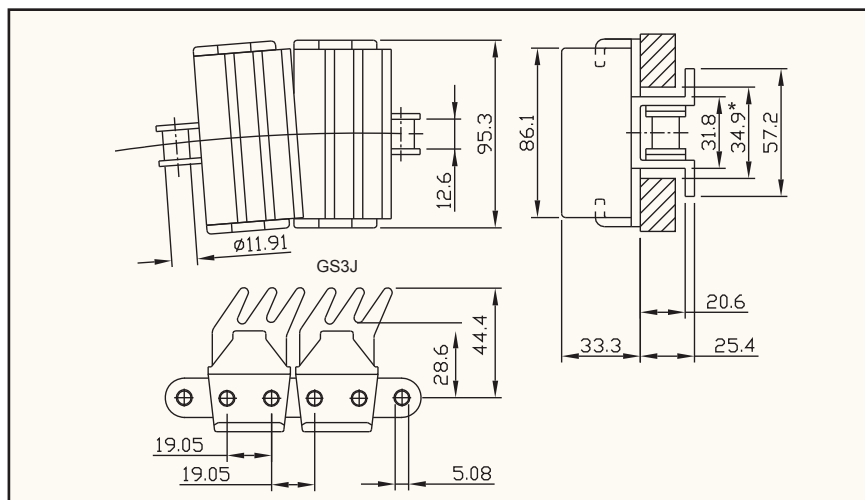
Chain type	Code nr.	Plate width A		Weight kg/m	Working load (max.) N (21°C)	Sideflex radius (min.) mm	Connection link	
		mm	pollici				type	code nr.
HP-ACETAL TOP PLATE/STEEL BASE CHAIN								
HP 1873 TAB-K375 GSD	L1873677162	95.3	3.75	2.80	4500	381	CL-63	36742
HP-ACETAL TOP PLATE/STAINLESS STEEL BASE CHAIN								
HP 1873 TABSS-K375 GSD	L1873677172	95.3	3.75	2.80	3400	381	CL-63 SS	36747

Standard length: 3.048 m – 10 feet (160 links)

Gripper EPDM Grey, 55 shore A hardness.



3-FINGER GRIPPER
3/4" PITCH
PLASTIC TAB

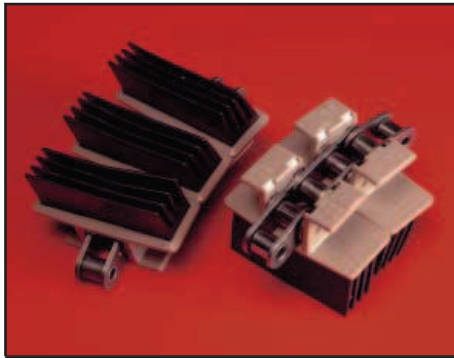


Chain type	Code nr.	Plate width A		Weight kg/m	Working load (max.) N (21°C)	Sideflex radius (min.) mm	Connection link	
		mm	pollici				type	code nr.
HP-ACETAL TOP PLATE/STEEL BASE CHAIN								
HP 1873 TAB-K375 GS3J	L1873677082	95.3	3.75	2.80	4500	381	CL-63	36742
HP-ACETAL TOP PLATE/STAINLESS STEEL BASE CHAIN								
HP 1873 TABSS-K375 GS3J	L1873677092	95.3	3.75	2.80	3400	381	CL-63 SS	36747

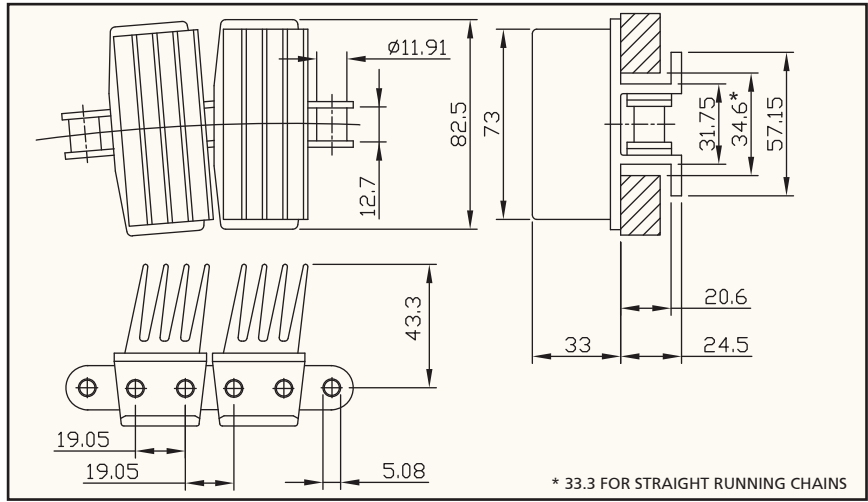
Standard length: 3.048 m – 10 feet (160 links)

Gripper EPDM Grey, 55 shore A hardness.

PLATE TOP GRIPPER CHAINS



**INTEGRATED GRIPPER
3/4" PITCH
PLASTIC TAB**



Chain type	Code nr.	Plate width A		Weight kg/m	Working load (max.) N (21°C)	Sideflex radius (min.) mm	Connection link	
		mm	pollici				type	code nr.
LF-ACETAL TOP PLATE /STEEL BASE CHAIN								
LF 1873 TAB-K325 GJM	L1873649841	82.5	3.25	3.00	4500	356	CL-63	36742
LF-ACETAL TOP PLATE /STAINLESS STEEL BASE CHAIN								
LF 1873 TABSS-K325 GJM	L1873613912	82.5	3.25	3.00	3400	356	CL-63 SS	36747

Standard length: 3.048 m – 10 feet (160 links).

Gripper TPE black, 75 shore A hardness.