

Please contact your Rexnord Representative with any questions:

Rexnord FlatTop Europe
Einsteinstraat 1, 2691 GV 's-Gravenzande
The Netherlands
Phone: +31 174 445 111
After Hours Emergency
Phone: +31 174 445 112
(including countries not listed)

Rexnord FlatTop Italy
Phone: +39 0522 639333

Rexnord FlatTop Germany
Phone: 0800 588 8083

Rexnord FlatTop France
Phone: 0805 540 444

Rexnord FlatTop India
Phone: +91 040 23078243

Rexnord FlatTop China
Phone: +86 21 52436100

Rexnord FlatTop North America
1272 Dakota Drive
Grafton, WI, 53024 USA
Phone: 1-262-376-4600

www.rexnord.com
www.rexnordflattop.com

Rexnord 1040 Series Magnetflex TableTop Chain for Container Handling Applications

Rexnord FlatTop continuously develops solution-oriented, innovative conveyor chain and components to meet the increasing performance demands of high-speed and mass-flow conveyors in the beverage and food industries. Our Rexnord® 1040 Series Magnetflex® TableTop® Chain provides a perfect option for side-flexing conveyors in lines where TableTop Chain is used.

Improved container handling

Rexnord 1040 Series Magnetflex TableTop Chain offers excellent flatness to support even the most critical beverage container shapes and materials, such as PET bottles. The chain is available in two surface executions: table top (FTM) and flush grid (FGM), and in multiple Rexnord engineered plastics: XLG, PSX®, DRY-PT®, HP™ and DKA.

Improved safety

A patented pin retention solution improves worker safety. Pins can be inserted with low force, without the need for a hammer and punch. The pins are locked by clicking the links slightly backward. This makes chain installation and maintenance fast, safe and easy.

Energy saving

The chain weight of the 1040 Series is significantly lower, compared to similar chain designs in the market. This reduces the tension on the drive shaft, which translates into direct energy-saving opportunities.

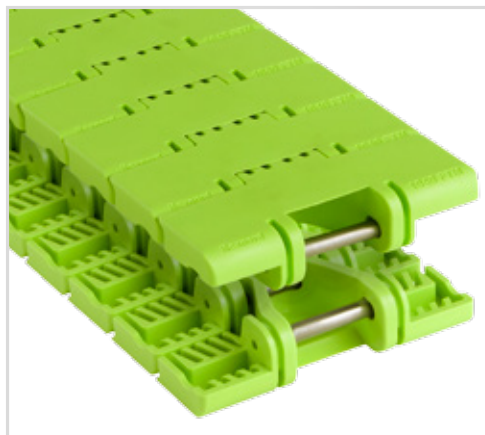
Compatibility

The Rexnord 1040 Series Magnetflex TableTop Chain is compatible with the Rexnord 1050/1060 Series Magnetflex TableTop Chain and uses the same sprocket type.

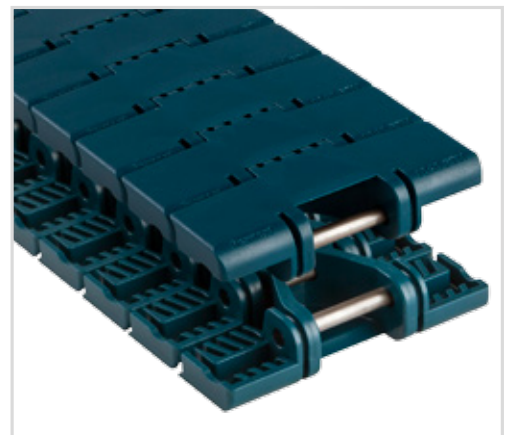
The Rexnord 1040 Series Magnetflex TableTop Chain can be installed in an original industry standard conveyor setup without any modifications. The chain cannot be connected to the Rexnord 1050/1060 Series TableTop Chain.

Superior performance in dynamic, high-speed container conveying applications, including:

- High-speed, side-flexing single-track conveying applications
- Mass side-flexing conveying applications



Rexnord DRY-PT1040 Magnetflex TableTop Chain



Rexnord XLG1040 Magnetflex TableTop Chain

Features and benefits:

Excellent flatness

- The Rexnord 1040 Series Magnetflex TableTop Chain design offers excellent flatness to support even the most critical beverage containers

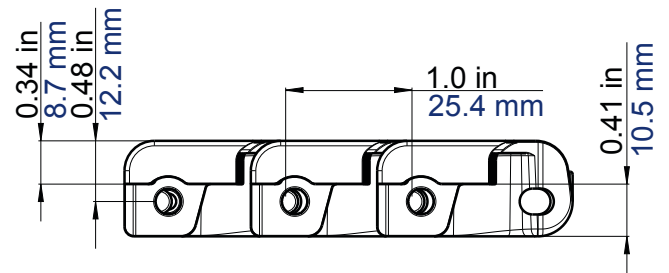
Maintenance

- The Rexnord 1040 Series Magnetflex TableTop Chain is very easy and fast to install, without the need for a hammer and punch. Simply insert the pin and bend the links backward to 'click' the pin in the secured position

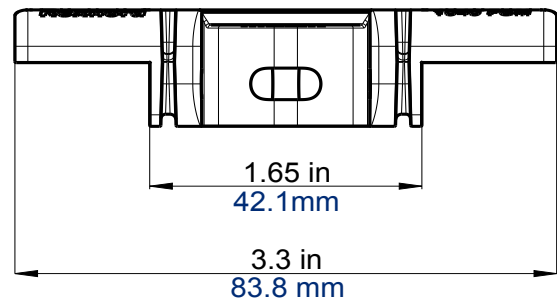
Compatibility

- Current conveyors equipped with Rexnord 1050/1060 Series Magnetflex Chain or similar versions can be retrofitted to the Rexnord 1040 Series Magnetflex TableTop Chain without any required changes to the conveyor setup
- The Rexnord 1040 Series Magnetflex TableTop Chain runs on the same sprockets as the Rexnord 1050/1060 Series Magnetflex TableTop Chain

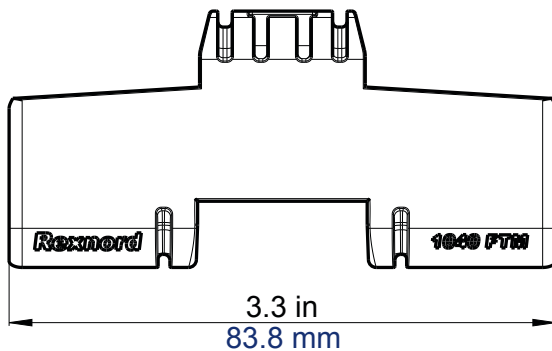
Side view



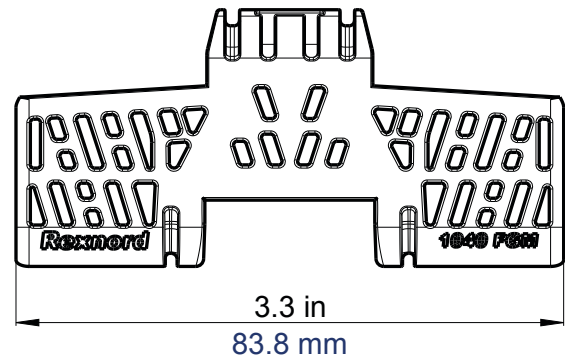
Front view



Flat top (closed surface) top view



Flush grid (35% open area) top view



Rexnord 1040 Series Magnetflex Flat Top TableTop Chain Material Overview

Chain Type	Material	Code Number	Working Load (max)	Weight	Backflex Radius (min)	Plate Thickness	Sideflex Radius (min)	Plate Width
			lbs / N	lbs/ft / kg/m	in / mm	in / mm	in / mm	in / mm
DRY-PT1040FTM	DRY-PT	10604554						
PSX1040FTM	PSX	10604578						
XLG1040FTM	XLG	10604555	337 / 1500	0.67 / 1.00	5.12 / 130.0	0.34 / 8.7	19.7 / 500	3.33 / 83.8
HP1040FTM	HP	10608553						
DKA1040FTM	DKA	10608551						

Rexnord 1040 Series Magnetflex Flush Grid TableTop Chain Material Overview

Chain Type	Material	Code Number	Working Load (max)	Weight	Backflex Radius (min)	Plate Thickness	Sideflex Radius (min)	Plate Width
			lbs / N	lbs/ft / kg/m	in / mm	in / mm	in / mm	in / mm
DRY-PT1040FGM	DRY-PT	10604582						
PSX1040FGM	PSX	10604586						
XLG1040FGM	XLG	10604583	337 / 1500	0.64 / 0.95	5.12 / 130.0	0.34 / 8.7	19.7 / 500	3.33 / 83.8
HP1040FGM	HP	10608555						
DKA1040FGM	DKA	10608554						