

Please contact your Rexnord Representative with any questions:

**Rexnord FlatTop Europe**  
Einsteinstraat 1, 2691 GV 's-Gravenzande  
The Netherlands  
Phone: +31 174 445 111  
After Hours Emergency  
Phone: +31 174 445 112  
(including countries not listed)

**Rexnord FlatTop Italy**  
Phone: +39 0522 639333

**Rexnord FlatTop Germany**  
Phone: 0800 588 8083

**Rexnord FlatTop France**  
Phone: 0805 540 444

**Rexnord FlatTop India**  
Phone: +91 040 23078243

**Rexnord FlatTop China**  
Phone: +86 21 52436100

**Rexnord FlatTop North America**  
1272 Dakota Drive  
Grafton, WI, 53024 USA  
Phone: 1-262-376-4600

[www.rexnord.com](http://www.rexnord.com)  
[www.rexnordflattop.com](http://www.rexnordflattop.com)

## Rexnord PSX 1873 RexAthletic Series Gripper Chain for High-Speed Side-Grip Applications

Rexnord FlatTop continuously develops solution-oriented, innovative conveyor chain and components to meet the increasing performance demands of conveyors in the beverage and food industry. The Rexnord® PSX® 1873 RexAthletic® Series Gripper Chain combines high-performance top plate and base chain materials for optimal durability and wear resistance, with long-lasting grippers that keep elasticity for optimal grip on the conveyed containers.

### Application fields

Rexnord PSX 1873 RexAthletic Series Gripper Chain is designed to run in high-speed side-grip applications such as bottle rinsers, inverters, elevators and lowerators.

### Superior performance and durability in high-speed, side-grip applications, including:

- Applications where maintenance and lubrication possibilities are limited
- High speed and loads under challenging conditions
- Closed system

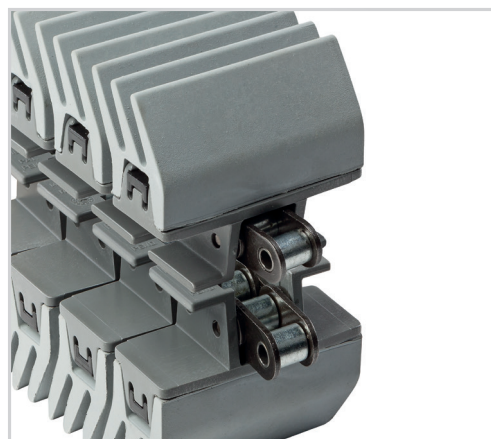
### High performance and maintenance free

Rexnord engineered plastic PSX Material has been designed to generate a constant low-friction level, between the top plate and the chain support. This results in a low conveyor head shaft tension and minimal top plate wear.

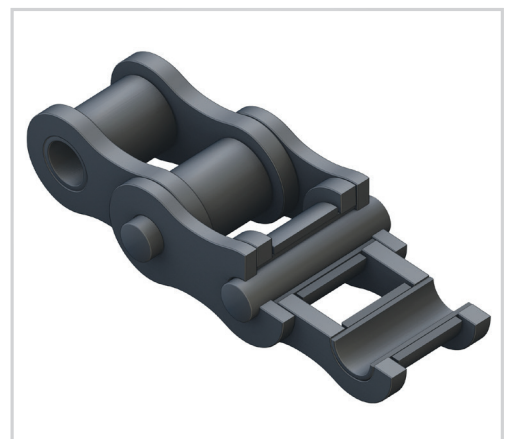
Rexnord RexAthletic Base Roller Chain has been designed to run at high loads and speeds with little or no external lubrication. The special coating and surface finish of the pins and bushings ensure optimal performance and durability.

The combination of the Rexnord PSX Plastic Top Plate Material together with Rexnord RexAthletic Base Roller Chain ensures the chain is capable of running at high-speed and load, with long maintenance intervals.

The grippers are moulded in EPDM material with a high density to provide optimal grip and wear resistance over time. The gray color ensures that no color markings are present on the conveyed containers.



Rexnord PSX 1873 TAB GRIP- 3.25IN S3J EPDM GY55 SP



Rexnord RexAthletic Base Roller Chain

**Rexnord RexAthletic Base Roller Chain**

**Inner plate**

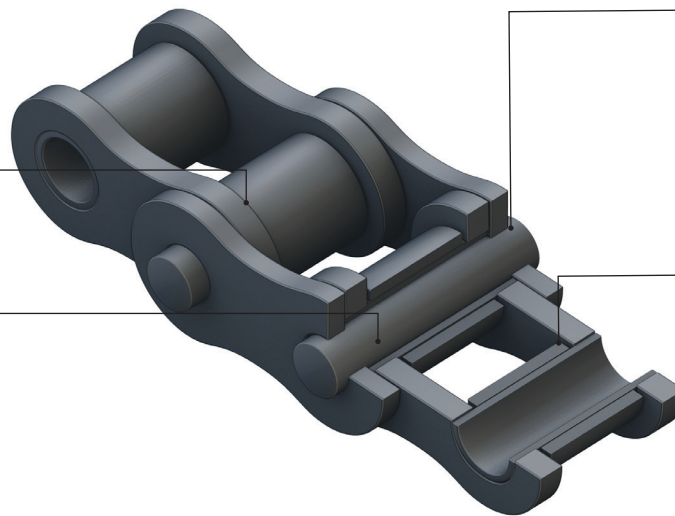
RexPlus® Material, optimized bore quality, high contact area ferritic martensitic structure (magnetic)

**Outer plate**

RexPlus Material, optimized bore quality, high contact area ferritic martensitic structure (magnetic)

**Roller**

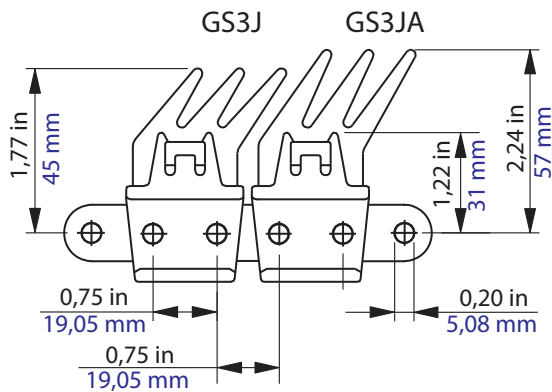
Shock-resistant, seamless, cold-formed, austenitic structure (non-magnetic)



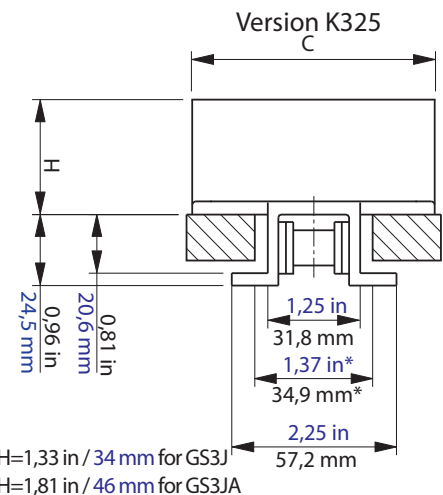
**Pin**  
A special chemical nickel surface provides excellent sliding characteristics

**Bush**  
The bushings are coated and tempered with a special anti-friction coating

Rexnord 1873 Series Gripper Chain side view



Rexnord 1873 Series Gripper Chain



**Rexnord PSX 1873 RexAthletic Series Gripper Chain Material Overview**

| Chain Type   | Code Number | Working Load (max) |               | Plate Width (A) | Gripper Width (C) | Sideflex Radius (min) | Gripper Height (H) |         |
|--|-------------|--------------------|---------------|-----------------|-------------------|-----------------------|--------------------|---------|
|  |             | lbf / N            | lbs/ft / kg/m |                 |                   |                       | in / mm            | in / mm |
| <b>Rexnord PSX Material Top Plate - Steel Base Chain</b>           |             |                    |               |                 |                   |                       |                    |         |
| PSX 1873 TAB GRIP- 3.25IN S3J EPDM GY55 SP                         | 10528026    | 1000 / 4500        | 3.40 / 2.90   | 3.25 / 82.55    | 3.25              | 381                   | 1.37               | 34.0    |
| PSX 1873 TAB GRIP- 3.25IN S3JA EPDM GY55 SP                        | 10528027    |                    | 3.49 / 3.00   | 3.25 / 82.55    | 3.25              |                       | 1.81               | 46.0    |
| PSX 1873 TAB GRIP- 4.5IN S3J EPDM GY55 SP                          | 10528028    |                    | 2.89 / 2.90   | 4.50 / 114.30   | 4.21              |                       | 1.37               | 34.0    |
| PSX 1873 TAB GRIP- 4.5IN S3JA EPDM GY55 SP                         | 10528029    |                    | 2.89 / 3.00   | 4.50 / 114.30   | 4.21              |                       | 1.81               | 46.0    |
| <b>Rexnord PSX Material Top Plate - Stainless Steel Base Chain</b> |             |                    |               |                 |                   |                       |                    |         |
| PSX 1873 TAB GRIP- 3.25IN S3J EPDM GY55 SP                         | 10604462    | 750 / 3400         | 3.40 / 2.90   | 3.25 / 82.55    | 3.25              | 381                   | 1.37               | 34.0    |
| PSX 1873 TAB GRIP- 3.25IN S3JA EPDM GY55                           | 10604463    |                    | 3.49 / 3.00   | 3.25 / 82.55    | 3.25              |                       | 1.81               | 46.0    |
| PSX 1873 TAB GRIP- 4.5IN S3J EPDM GY55 SP                          | 10604464    |                    | 3.40 / 2.90   | 4.50 / 114.30   | 4.21              |                       | 1.37               | 34.0    |
| PSX 1873 TAB GRIP- 4.5IN S3JA EPDM GY55 SP                         | 10604465    |                    | 3.49 / 3.00   | 4.50 / 114.30   | 4.21              |                       | 1.81               | 46.0    |